



MODEL C/FS-2F

SLIMLINE CEILING DAMPER SQUARE AND RECTANGULAR
U.L. 555C CLASSIFIED ASSEMBLIES AND ULC S112.2 LISTED
Approved for Assembly ratings of 3-hours or less

Application and Design

The Model C/FS-2F is a slimline (low profile) square/rectangular UL Classified ceiling (radiation) damper, fabric blade style, approved for both steel duct or ductless installations in an approved UL ceiling design that incorporate/show a hinged door damper requiring fire/heat protection where HVAC components penetrate the ceiling membrane. This damper has a lower profile design that allows for maximum free area and lowest pressure drop. These dampers provide protection up to 24" x 24" (610mm x 610mm) openings. When approved by AHJ, this damper is perfect for use below ceiling exhaust fans.



Models:

C/FS-2F: Square or rectangular, non-asbestos

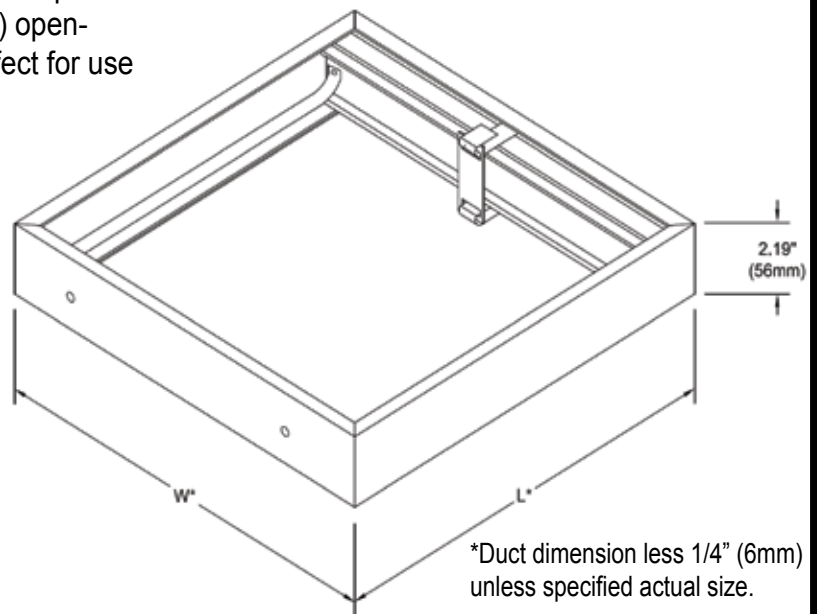
Standard Construction

Frame: Roll formed. - 22 Ga. Galvanized Steel

Blades: 22 Ga. - Galvanized Steel
w/ U.L. Classified insulated fabric blades

Spring: Stainless Steel negator

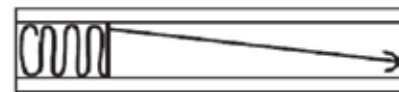
Fusible Link: Replaceable 212°F (100°C) standard
(others available)



*Duct dimension less 1/4" (6mm) unless specified actual size.

Designed and tested in accordance to standards: UL 555C, ULC S112.2. Labeled and listed by UL/ULC under File #R27747. They meet all the NFPA-90A, IBC Code, and other major code requirements for Ceiling (Radiation) Dampers.

Standard Sizes	
Min. Size	Max. Size
4" X 4" (101mm X 101mm)	24" X 24" (609mm X 609mm)



C/FS-2F

SUGGESTED SPECIFICATION

Square and rectangular butterfly ceiling dampers shall be Model C/FS-2F by CVS. Ceiling dampers shall bear the Underwriters' Laboratories label and be rated for both ducted or non-ducted air systems. Ceiling dampers shall be of the non-asbestos, curtain type for maximum free area.

Manufacturer's Recommendations

All moving parts of the damper must be inspected and cycled once the first year and at intervals not greater than every 4 years or in accordance with the latest edition of NFPA 90A, 92A, local codes and the manufacturer. In addition, fuse links shall be removed and inspected for corrosion. Dry lubricants are recommended.

Job Name:
Location:
Architect:
Engineer:
Contractor:

MODEL C/FS-2F